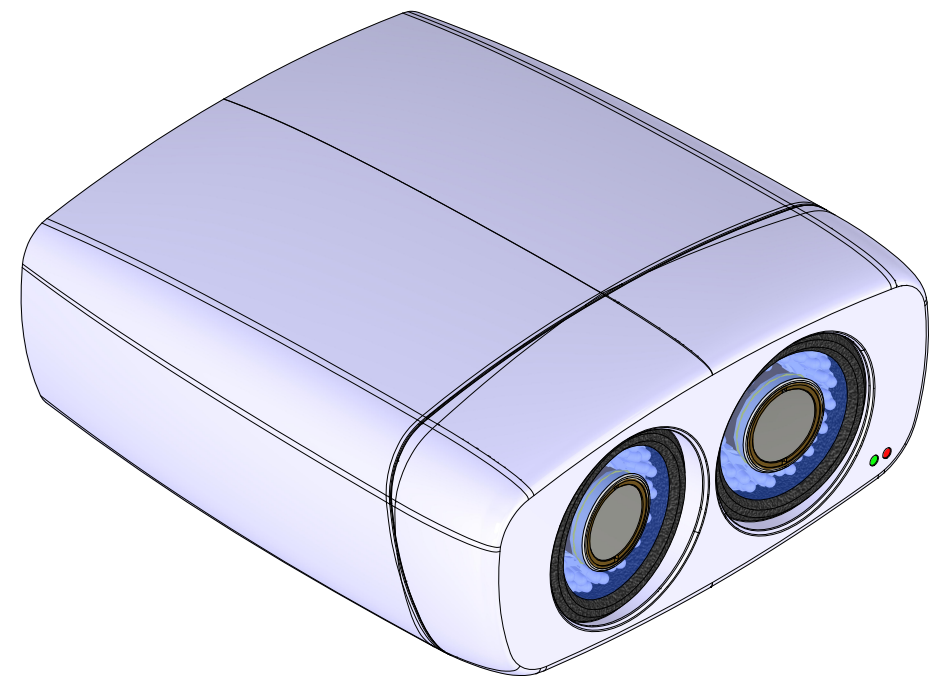
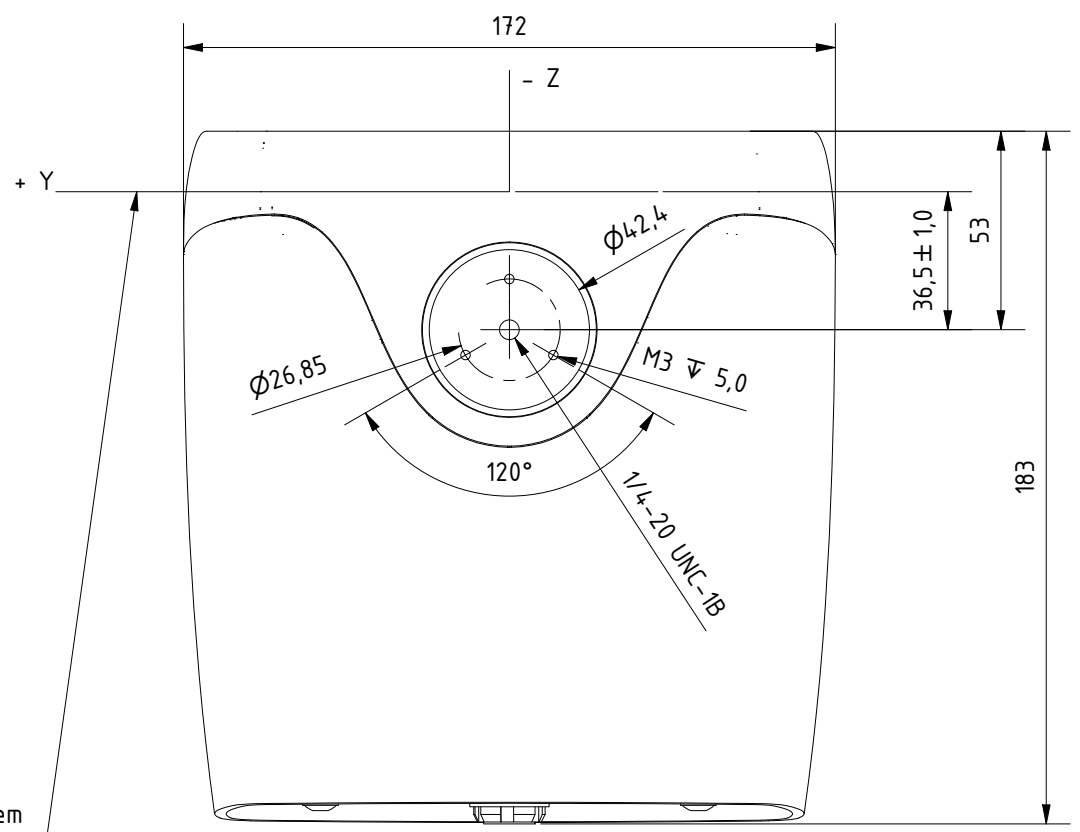


D

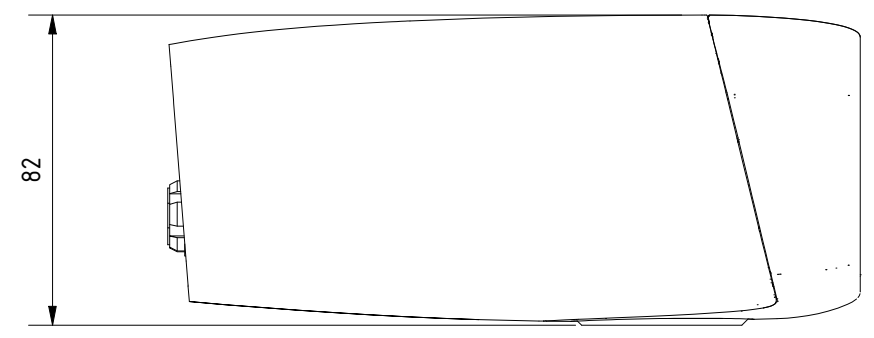
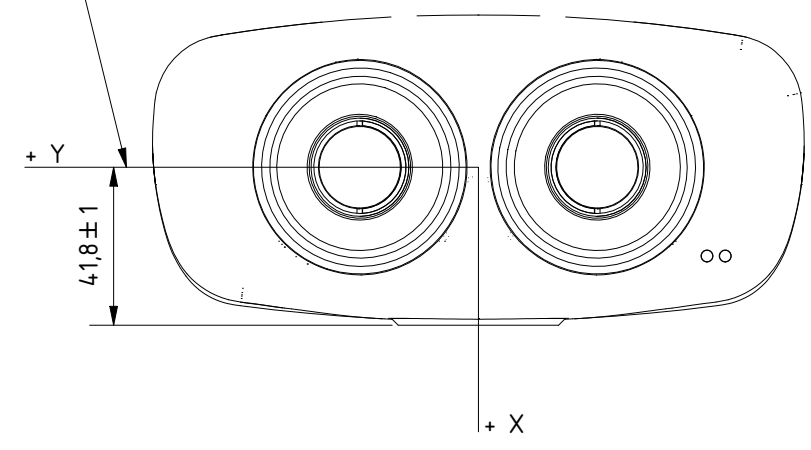
C

B

A



Coordinate system
of measurement system



	General tolerances according to DIN 2768-m	Material:		Scale: 1:2	Weight: -
Responsible dept. HW	Technical reference Jörg Schliwa	Created by: Jörg Schliwa	Approved by: (Signum, Date)		
AXIOS 3D Services GmbH Im Technologiepark 4 D-26129 Oldenburg		Confidentiality: External	Document status approved		
		Title CamBar B1α C8 R08	Document type Overall drawing		
		V. 1	Release date 14.06.2022	Format A3	Page 1